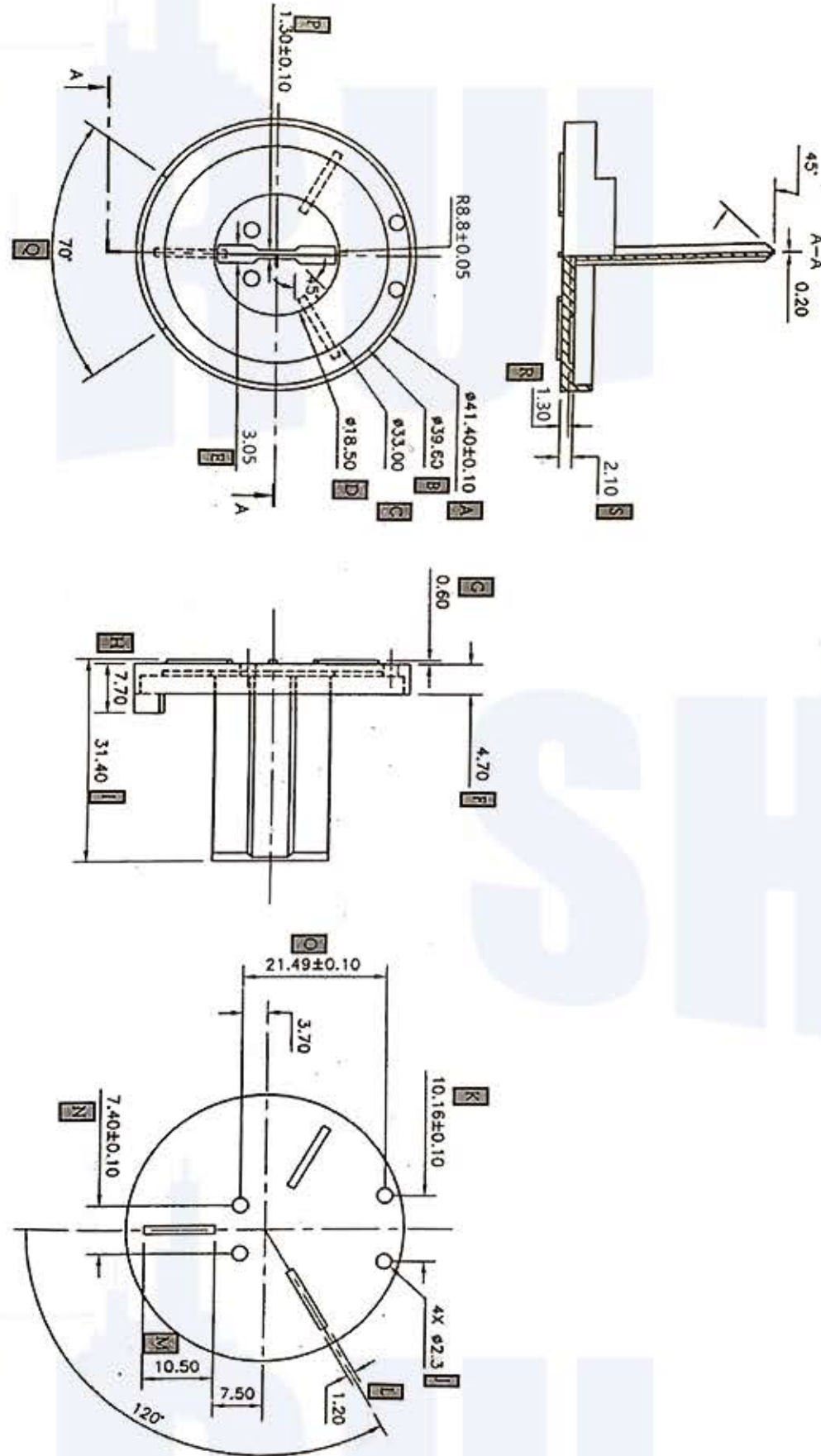


SHIRUI



SHIRUI Hefei Shirui Electronic Technology Co.,Ltd

SR NO. SR-BASE014	MATERIAL: PHENOLIC	UNIT: mm	DRN.	WILL H
MODEL NAME: BASE 014	UL REC: UL 94V-0	TOLERANCE	CHD.	IRINA LEE
	ANGLE: ± °	0 < X < 4 ± 0.1	ISSD.	JAMES HU
	SCALE 1:1	4 < X < 16 ± 0.2		
		16 < X < 60 ± 0.3		
		PIN PITCH ± 0.2		